

## 3-Axis Ultrasonic Anemometer

### Key Features

- Precision 3-Axis sonic anemometer
- 32Hz output rate
- 0-65m/s wind speed
- 0-359° wind direction
- U, V, W vector outputs
- Sonic temperature output
- Stainless steel construction
- Optional custom calibration

The Gill WindMaster Pro is a precision anemometer offering three-axis wind measurement data. This instrument will monitor wind speeds of 0-65m/s and provides sonic temperature, speed of sound and U, V & W vector outputs at 32Hz as standard. The unit also features improved vertical (W) resolution and speed of sound accuracy and less distortion due to wind loading. Each WindMaster Pro can be calibrated with an optional Gill wind tunnel test to provide optimum performance. Optional analogue inputs and outputs plus a PRT are available with 14 bit resolution.

This anemometer is of stainless steel external construction and is particularly suitable for precision wind measurement applications requiring 3-axis data involving high wind speeds.



#### WIND SPEED

Range	0 - 65 m/s
Resolution	0.01 m/s
Accuracy*	<1.5% RMS @12 m/s
Accuracy*	<1% RMS @12 m/s (Custom)

#### DIRECTION

Range	0 - 359°
Resolution	0.1°
Accuracy	2° @12 m/s
Accuracy	0.5° @12 m/s (Custom)

#### SONIC TEMPERATURE

Range	-40°C to +70°C
Resolution	0.01°C
Accuracy	-20°C to +30°C within ±2°C of ambient temperature

#### SPEED OF SOUND

Range	300-370 m/s
Resolution	0.01 m/s
Accuracy	< ±0.5% @ 20°C

#### MEASUREMENT

Internal sample rate	32 Hz
Output parameters	1, 2, 4, 8, 10, 16, 20 & 32 Hz
Units of measure	m/s, mph, kph, knots, ft/min
Formats	UVW or Polar
Averaging	Flexible 0-3600 s

\*Accuracy spec applies for wind speed, and for wind incidence up to ±30° from the horizontal

#### DIGITAL OUTPUT

Communication	RS232, 422, 485 Binary
Baud rates	2400 - 57600
Format	ASCII

#### ANALOGUE OUTPUTS - OPTIONAL

Resolution 14 bits	4 channels available
Selectable range	User selectable full scale wind speed
Output type	0-20mA, 4-20mA, 0-5V, ±2.5V, ±5V

#### ANALOGUE INPUTS - OPTIONAL

Resolution 14 bits	Up to 4 single ended or 2 differential plus PRT 100 input
Input type	±5V

#### POWER REQUIREMENT

Anemometer	9-30 VDC (55mA @ 12 VDC)
------------	--------------------------

#### MECHANICAL

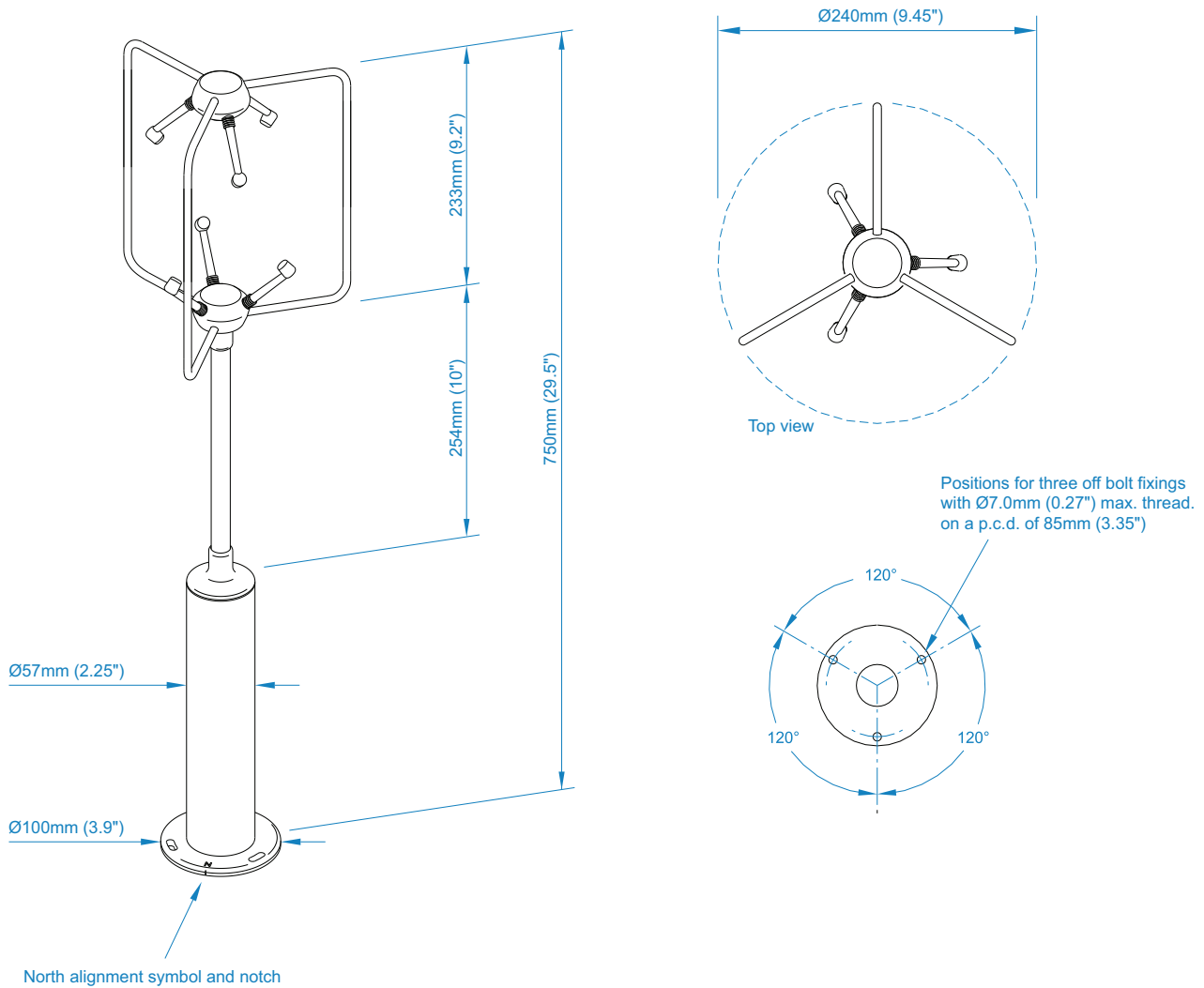
Weight	1.7 kg
Size	750mm x 240mm

#### ENVIRONMENTAL

Protection class	IP65
Operating temp	-40°C to +70°C
Humidity	< 5% to 100% RH
Precipitation	300mm/hr
EMC	BS EN 61000 - 6 - 3 (Emissions) BS EN 61000 - 6 - 2 (Immunity)

## Typical Applications

- Meteorological Systems
  - Flux Systems
  - Structural Safety
- Wind Profiling
  - Marine Research
  - Wind Turbine Site Survey



Specifications may be subject to change without prior notice.

# GILL

**Gill Instruments Limited**

Saltmarsh Park, 67 Gosport Street  
Lymington, Hampshire SO41 9EG  
United Kingdom

Tel: +44 (0) 1590 613 500  
Fax: +44 (0) 1590 613 501  
contact@gillinstruments.com

# Romiotto

**Instrumentos de Medição**

Tel.: +11 3976-4003 • 3999-7737

[vendas@romiotto.com.br](mailto:vendas@romiotto.com.br)

[www.romiotto.com.br](http://www.romiotto.com.br)



[www.gillinstruments.com](http://www.gillinstruments.com)

1561-0012 - Iss 5

Copyright © Gill Instruments 2016

Gill Instruments Ltd, Reg No. 2281574

Registered Office: The George Business Centre, Christchurch Road, New Milton, BH25 6QJ