

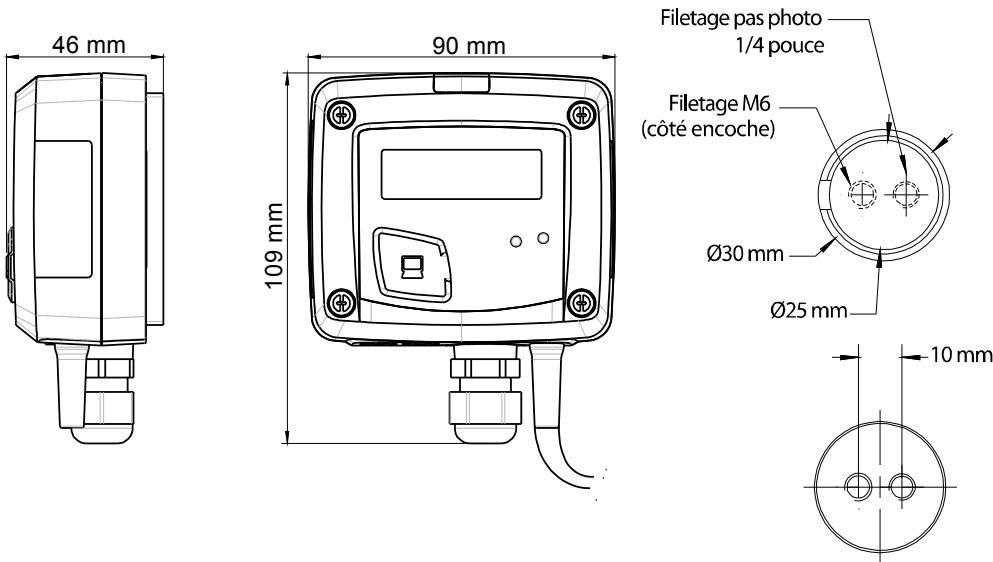
Solar radiation transmitter CR 110



KEY POINTS

- Range from 0 to 1500 W/m²
- 0-10 V active output, power supply 24 Vac/Vdc (3-4 wires) or 4-20 mA output, passive loop, power supply from 16 to 30 Vdc (2 wires)
- ABS V0 housing, with or without display
- "¼ turn" system mounting with wall-mount plate
- Housing with simplified mounting system

FEATURES OF THE HOUSING



Material : ABS V0 as per UL94

Protection : IP65

Display : LCD 10 digits. Size : 50 x 17 mm

Height of digits : Values : 10 mm ;
Units : 5 mm

Cable gland : For cables Ø 8 mm maximum

Weight : 140 g

Remote probe : cable of 2 m length in PVC

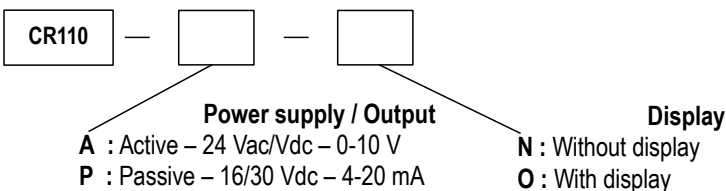
TECHNICAL FEATURES

Unit of measurement	W/m ²
Measuring range	From 0 to 1500 W/m ²
Accuracy*	5% of reading
Resolution	1 W/m ²
Type of fluid	Air and neutral gas
Working temperature	From 0 to +50 °C
Storage temperature	From -10 to +70 °C

*All the accuracies indicated in this technical datasheet were stated in laboratory conditions, and can be guaranteed for measurements carried out in the same conditions, or carried out with calibration compensation.

PART NUMBER

To order, just add the codes to complete the part number :



Example : CR110-PO

Solar radiation transmitter with 4-20 mA passive output, with display.

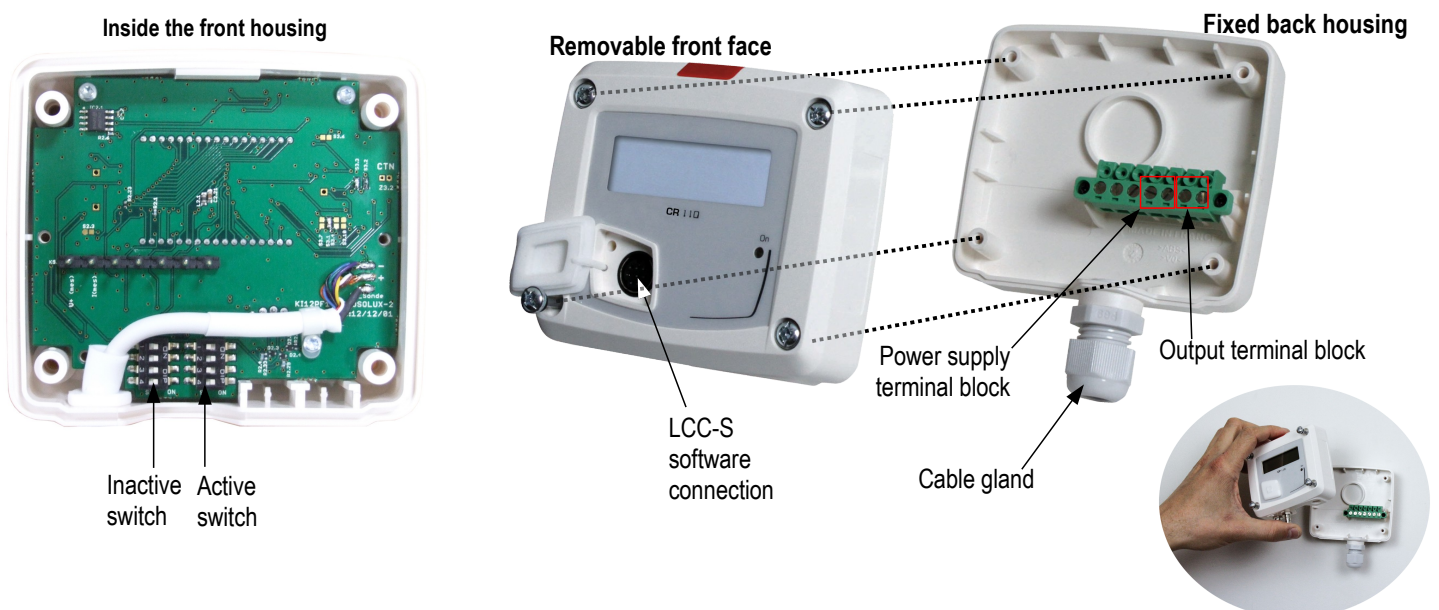
FEATURES OF THE SOLAR CELL

Measuring range	From 0 to 1500 W/m ²
Spectral response	400-1100 nm
Nominal sensitivity	100 mv for 1000 W/m ² STC (Standard Test Conditions 25°C – Solar spectrum AM 1.5)
Response in cosine	Corrected until 80 °
Coefficient in temperature	+0.1 %/°C
Effective area	1 cm ²
Operating temperature	From -30 to +60 °C
Relative humidity dependence	100%RH
UV performance	Excellent (PPMA filter)
Mode	Photovoltaic
Material	Polycrystallin silicon
Front face	Translucent PPMA
Tightness	Polyutethane resin and housing in PPMA and polyacetol
Weight	60 g
Size	30 x 32 mm
Protection	IP65

TECHNICAL SPECIFICATIONS

Output / Power supply	<ul style="list-style-type: none"> - active 0-10 V (power supply 24 Vac/Vdc ± 10%), 3-4 wires - passive loop 4-20 mA (power supply 16/30 Vdc), 2 wires - maximum load : 500 Ohms (4-20 mA) - minimum load : 1 K Ohms (0-10 V)
Consumption	2 VA (0-10 V) or max. 22 mA (4-20 mA)
Electromagnetical compatibility	EN61326
Electrical connection	Screw terminal block for cables Ø0.05 to 2.5 mm ²
PC communication	USB-mini Din Kimo cable
Environment	Air and neutral gases

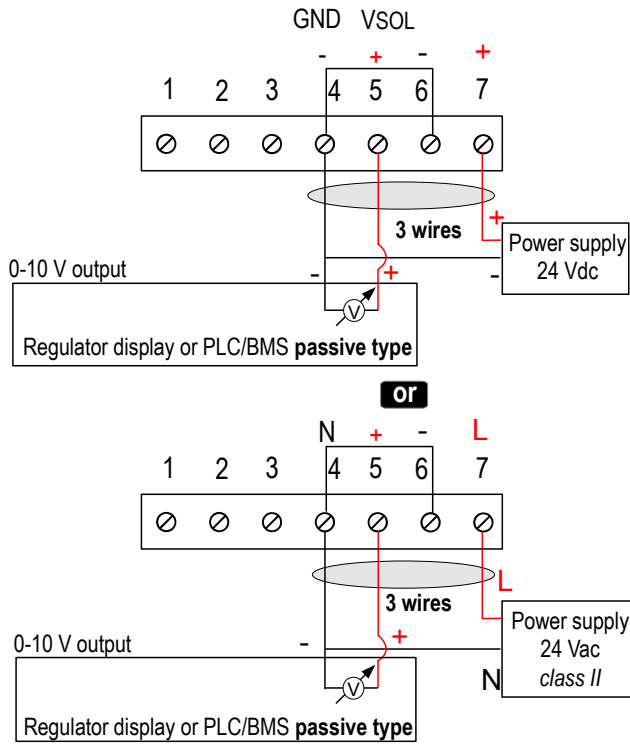
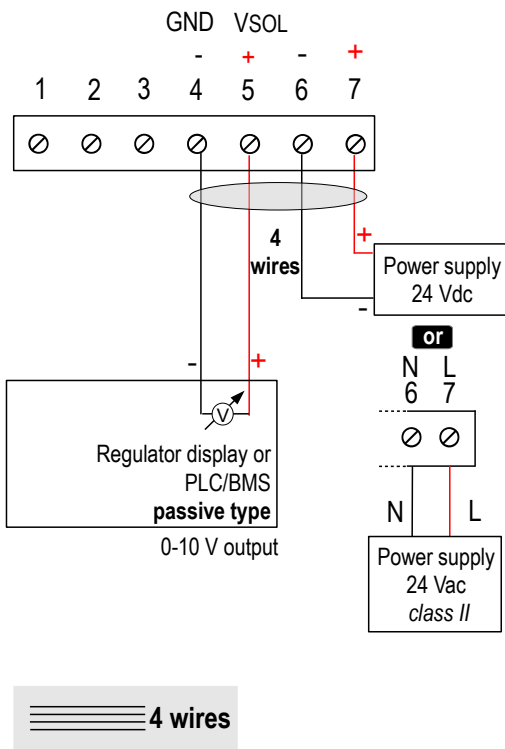
CONNECTIONS



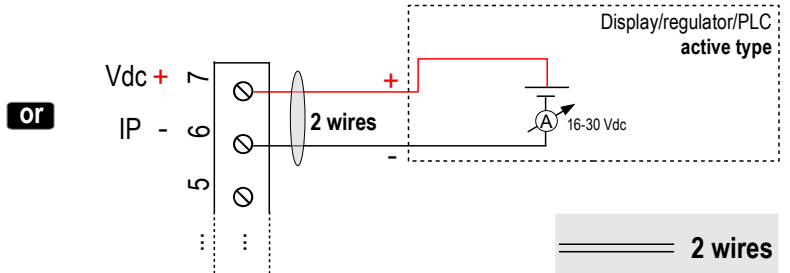
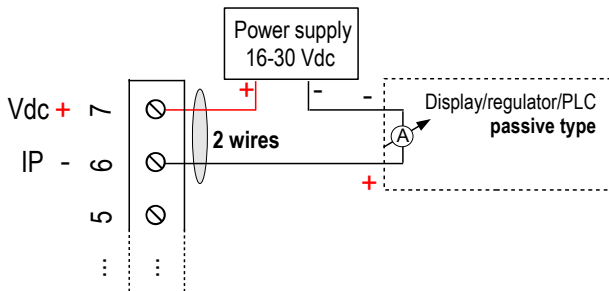
! This connection must be made by a qualified technician. **To make the connection, the transmitter must not be energized.**

For **CR110-A** models with **0-10 V output – active** :

! To make a 3-wire connection, before powering up the transmitter, please connect the output ground to the input ground. See drawing below.

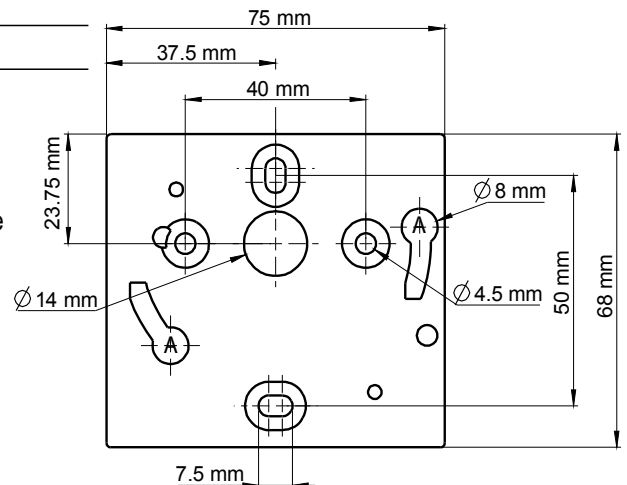


For **CR110-P** models with **4-20 mA output – passive** :



MOUNTING

To mount the transmitter, mount the ABS plate on the wall (drilling : $\varnothing 6$ mm, screws and pins are supplied). Insert the transmitter on the fixing plate (see A on the drawing beside). Rotate the housing in clockwise direction until you hear a "click" which confirms that the transmitter is correctly installed.



MAINTENANCE

Please avoid any aggressive solvent. Please protect the transmitter and its probes from any cleaning product containing formol, that may be used for cleaning rooms or ducts.

OPTIONS AND ACCESSORIES

- **KIAL-100A** : Power supply class 2, 230 Vac input, 24 Vac output
- **LCC-S** : configuration software with USB cable
- Angle mounting
- Fixing kit for solar panels

www.kimo.fr

Distributed by :



EXPORT DEPARTMENT

Tel : + 33. 1. 60. 06. 69. 25 - Fax : + 33. 1. 60. 06. 69. 29

e-mail : export@kimo.fr