

Temperature and differential pressure transmitter

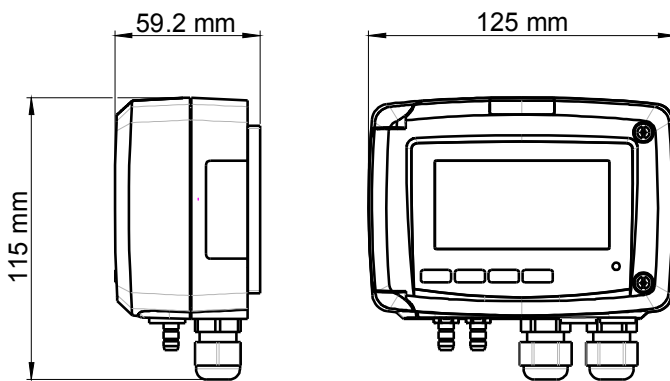
CP 210

KEY POINTS

- Range from -100/+100 Pa to -2000/+2000 mbar (according to, see "Part number")
- Input Pt100 or terminal block for temperature measurement, range from -100 to +400 °C (probes as option)
- Configurable intermediate ranges
- 4 wires analogue output 0-5/10 V or 0/4-20 mA
- Power supply 24 Vdc/Vac or 230 Vac (optional 115 Vac)
- Trend indicator
- ABS V0 housing, IP65, with or without display
- "¼ turn" system mounting with wall-mount plate
- Solenoid valve for auto-calibration (only on CP211 and CP212 models)



FEATURES OF THE HOUSING



Material : ABS V0 as per UL94

Protection : IP65

Display : 75 x 40 mm, LCD 19 digits 2 lines.

Height of digits : Values : 10 mm ; Units : 5 mm

Connection : Ribbed Ø 6.2 mm (CP211/212*213)
Compression for tubes Ø4x6 mm (CP214/215)

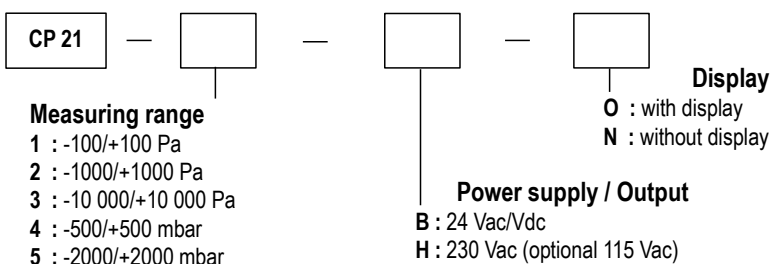
Pass-through : for cables Ø 6 mm maximum

Cable gland : for cables Ø 8 mm maximum

Weight : 320 g

PART NUMBER

To order, just add the codes to complete the part number :



Example : CP 211 – HO

Pressure transmitter -100/+100 Pa measuring range, with power supply 115 or 230 Vac, with display

TECHNICAL FEATURES

Units of measurement	CP211/212/213 : Pa, mmH ₂ O, mbar, inWG, mmHG, daPa, kPa, hPa CP214/215 : mbar, mmH ₂ O, kPa, inWG, mmHG, hPa, daPa, PSI CP211/212/213/214/215 (temperature Pt100) : °C / °F
Accuracy*	CP211/212 : ±0.5% of reading ±2 Pa ; CP213 : ±0.5% of reading ±10 Pa ; CP214 : ±0.5% of reading ±0.5 mbar CP215 : ±0.5 of reading ±2 mbar CP211/212/213/214/215 (Pt100 temperature) : ±0.5 % of reading ±0.5 °C
Response time	1/e (63%) 0.3 s
Resolution	CP211/212 : 1 Pa ; 0.1 mmH ₂ O ; 0.01 mbar ; 0.01 inWG ; 0.01 mmHG ; 0.1 daPa ; 0.001 kPa ; 0.01 hPa CP213 : 1 Pa ; 0.1 mmH ₂ O ; 0.01 mbar ; 0.01 inWG ; 0.01 mmHG ; 0.1 daPa ; 0.01 kPa ; 0.01 hPa CP214 : 0.1 mbar ; 1 mmH ₂ O ; 0.01 kPa ; 0.1 inWG ; 0.1 mmHG ; 0.1 hPa ; 1 daPa ; 0.01 PSI CP215 : 1 mbar ; 1 mmH ₂ O ; 0.1 kPa ; 0.1 inWG ; 1 mmHG ; 1 hPa ; 1 daPa ; 0.1 PSI
Tolerated overpressure	CP211/212 : 21 000 Pa – CP213 : 69 000 Pa – CP214 : 1400 mbar – CP215 : 4100 mbar

*All the accuracies indicated in this technical datasheet were stated in laboratory conditions, and can be guaranteed for measurements carried out in the same conditions, or carried out with calibration compensation.

TECHNICAL SPECIFICATIONS

Power supply	24 Vac / Vdc $\pm 10\%$ 230 Vac $\pm 10\%$, 50-60 Hz 115 Vac $\pm 10\%$, 50-60 Hz
Output	2 x 4-20 mA or 2 x 0-20 mA or 2 x 0-5 V or 2 x 0-10 V (4 wires) Maximum load : 500 Ohms (0/4-20 mA) Minimum load : 1 K Ohms (0-5/10 V)
Galvanic isolation	Inputs and outputs (115 Vac/230 Vac models) Outputs (24 Vac/Vdc models)
Consumption	5 VA
Electromagnetical compatibility	EN61326
Electrical connection	Screw terminal block for cables 2.5 mm ²
PC communication	Kimo USB-Mini Din cable
Environment	Air and neutral gases
Autozero	Manual by push-button ; Automatic by solenoid valve (only CP211/CP212)
Type of fluid	Air and neutral gases
Operating temperature	From 0 to +50 °C
Storage temperature	From -10 to +70 °C

CONFIGURABLE INTERMEDIATE OR CENTER ZERO RANGES

Transmitter	Pressure range	Air velocity range*
CP211	-100/+100 Pa	From 3 to 10 m/s
CP212	-1000/+1000 Pa	From 3 to 30 m/s
CP213	-10 000/+10 000 Pa	From 3 to 100 m/s
CP214	-500/+500 mbar	Not available
CP215	-2000/+2000 mbar	Not available

*These air velocity ranges are given for information, based on a Debimo differential probe ($C_m = 0.81$) and do not take into account temperature compensation.

AIR FLOW AND AIR VELOCITY FUNCTION (available option on CP211, CP212 and CP213 instruments)

Class 210 transmitters have 2 analogue outputs that correspond to both displayed parameters. It is possible to activate one or two outputs and select for each output between pressure, air velocity and air flow (functions as option).

Linked to a differential pressure device (Debimo blade, Pitot tube, orifice plate, ...), they can be equipped as option with the SQR 3 function (square root function) allowing to calculate the air velocity and/or air flow in a duct from a differential pressure.

Features Functions	Measuring ranges	Units and resolutions
Air velocity*	From 3 to 100 m/s (according to model)	0.1 m/s – 0.1 fpm
Air flow*	From 0 to 99 999 dam ³ /h (according to air velocity and section)	1m ³ /h – 0.1 m ³ /s – 1 dam ³ /h 0.1l/s – 1 cfm

*Differential pressure device (Pitot tube, Debimo...) as option

• **Air velocity calculation** : $V = C_M \sqrt{\frac{2 \Delta P}{\rho}}$

With :

C_M : differential pressure device coefficient

- Pitot tube type L : $C_M = 1.0015$

- Pitot tube type S : $C_M = 0.84$

- Debimo blade : $C_M = 0.8165$

Θ : given temperature (°C)

P_o : given atmospheric pressure (Pa)

$$\rho = \frac{P_o}{287.1 \times (\Theta + 273.15)}$$

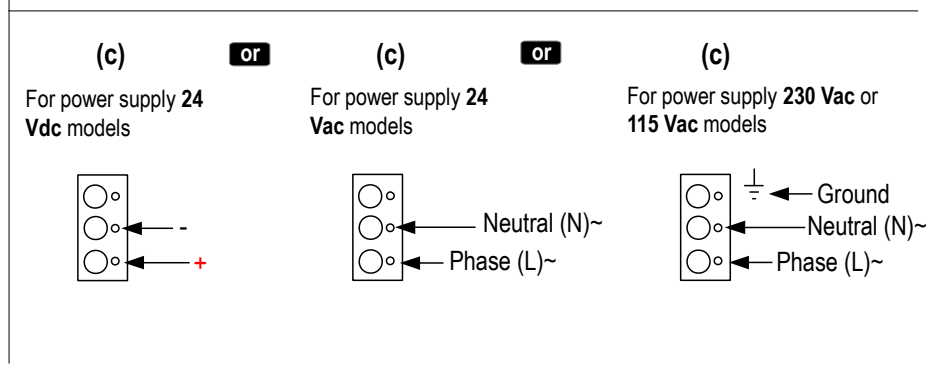
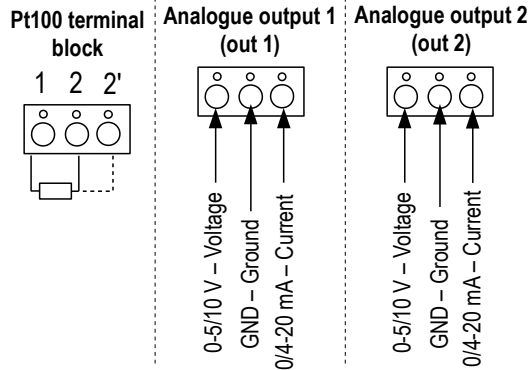
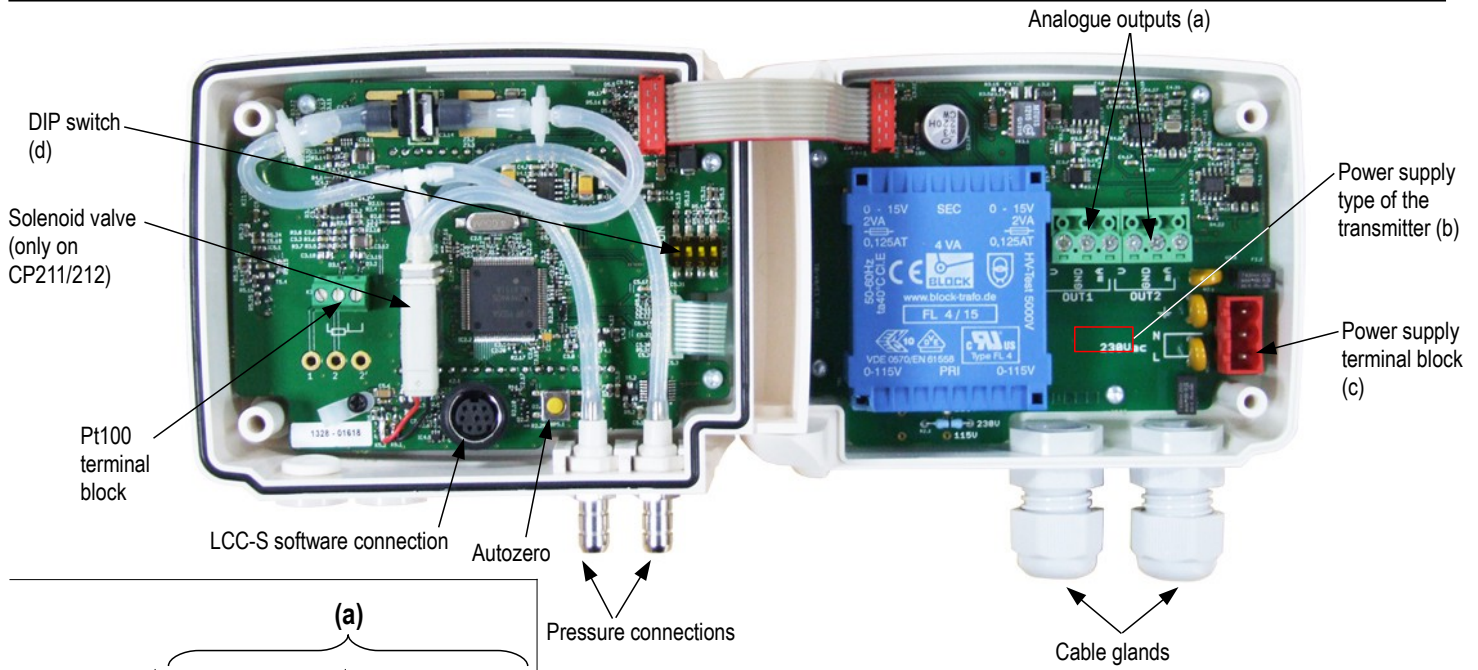
• **Air flow calculation** : Air flow (m³/h) = air velocity (m/s) x surface (m²) x 3600

Surface : setting of duct type (rectangular or circular) and duct size (mm or inch).

INTEGRATION OF PRESSURE MEASUREMENT

The pressure measurement element is very sensitive and reacts to pressure changes. When making measurements in unstable air movement conditions, the pressure measurement may fluctuate. The integration coefficient (from 0 to 9) makes an average of the measurements and then helps avoid any excessive variations ; it guarantees a stable measurement.

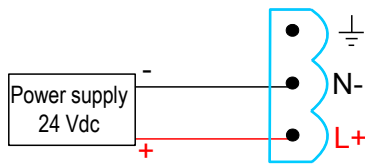
CONNECTIONS



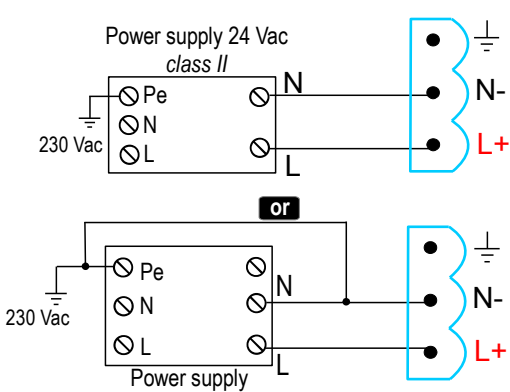
ELECTRICAL CONNECTIONS – as per NFC15-100 standard

⚠ This connection must be made by a qualified technician. To make the connection, the transmitter must not be energized. Before making the connection, you must first check the power supply indicated on the transmitter board (see (b) on “Connections” part).

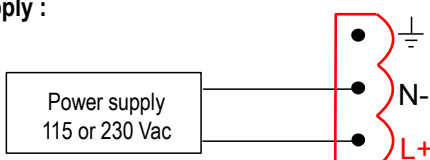
> **For transmitters with 24 Vdc power supply :**



> **For transmitters with 24 Vac power supply :**



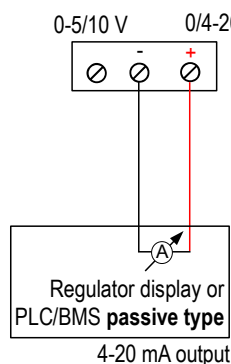
> **For transmitters with 115 or 230 Vac power supply :**



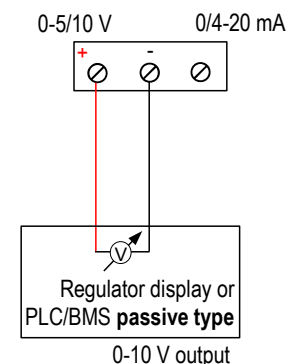
The selection of the output signal in voltage (0-10 V or 0-5 V) or in current (4-20 mA or 0-20 mA) is made via the DIP switch (d) of the electronic board of the transmitter : put the on-of switches as shown in the table below :

Configurations	4-20 mA	0-10 V	0-5 V	0-20 mA
Combinations				
	1 2 3 4	1 2 3 4	1 2 3 4	1 2 3 4

> **Connection of the output in current 4-20 mA :**



> **Connection of output in voltage 0-10 V :**



AUTOZERO

Auto-calibration

CP210 transmitters have a temperature compensation of the gain from 0 to 50°C and an auto-calibration process that guarantees over the time an excellent stability and a perfect reliability of the measurement on low and high ranges.

Auto-calibration principle : the microprocessor of the transmitter drives a solenoid valve that compensates the possible drifts on the sensitive element over the time. The compensation is performed by the permanent adjustment of the zero. So the measurement of the differential pressure is then independent from the environmental conditions of the transmitter.

Advantage : no drift

Frequency of auto-calibration : resetable or from 1 to 60 minutes

Autozero

To perform an autozero, unplug the 2 pressure connections tubes and press the "Autozero" key.

On CP211 and CP 212 transmitters, it is not necessary to unplug the 2 pressure connection tubes.

When an autozero has been performed, "On" green light turns off then turns on, and on transmitters equipped with a display, "autoZ" is displayed.

CONFIGURATION OF THE TRANSMITTERS

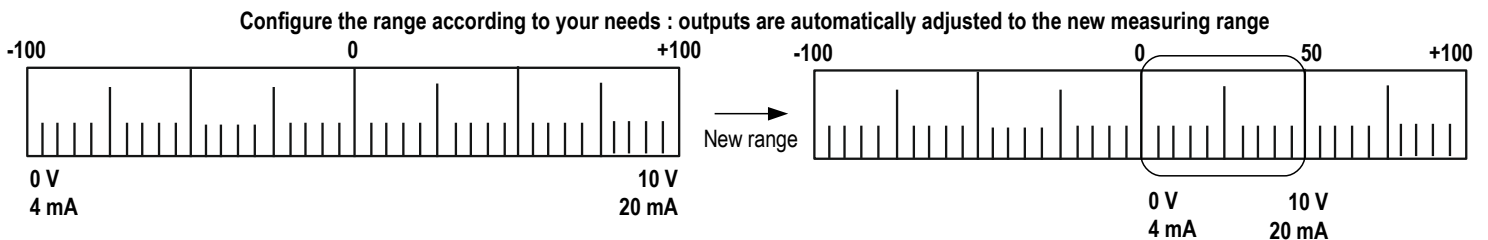
It is possible on the class 210 to configure all the parameters managed by the transmitter : units, measuring ranges, outputs, channels, calculation functions, etc, via different methods :

- **Keypad** for models with display : a code-locking system allows to secure the installation (See class 210 user manual).
- **Software** (optional) on all models. Simple user-friendly configuration. See LCC-SD user manual.

Configurable analogue output :

Range with central zero (-50/0/+50 Pa), with offset zero (-300/0/+70 Pa) or standard range (0/+100 Pa), it is possible to configure your own intermediate ranges.

Caution : the minimum difference between the high range and the low range is 20.



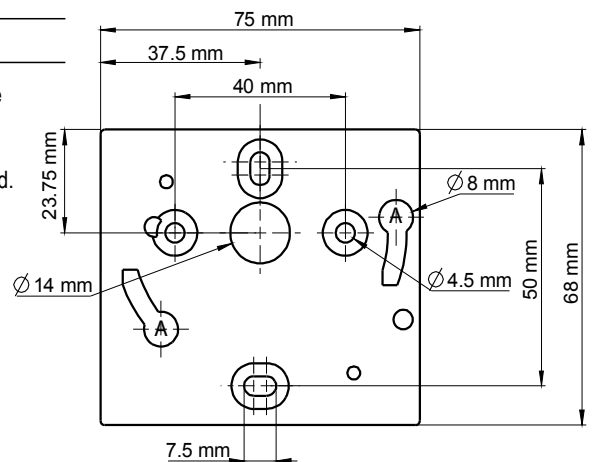
MOUNTING

To mount the transmitter, mount the ABS plate on the wall (drilling : $\varnothing 6$ mm, screws and pins are supplied).

Insert the transmitter on the fixing plate (see A on the drawing beside). Rotate the housing in clockwise direction until you hear a "click" which confirms that the transmitter is correctly installed.



Once the transmitter is installed and powered up, please make an autozero to guarantee the correct working of the transmitter in any position.



CALIBRATION

Adjusting and calibration on site : The professional configuration interface, with a dynamic pressure calibration bench, enables you to adjust and calibrate your transmitters directly on site or in laboratories.

Outputs diagnostic : With this function, you can check with a multimeter (or on a regulator / display, or a PLC / BMS) if the transmitter outputs work properly. The transmitter generates a voltage of 0 V, 5 V and 10 V or a current of 4 mA, 12 mA and 20 mA

Certificate : Class 210 transmitters are supplied with adjusting certificates. Calibration certificates are available as an option.

MAINTENANCE

Please avoid any aggressive solvent. Please protect the transmitter and its probes from any cleaning product containing formalin, that may be used for cleaning rooms or ducts.

OPTIONS AND ACCESSORIES

- **LCC-S** : configuration software with USB cable
- **SQR/3 function** (square root for the measurement of air velocity and air flow)
- **Calibration certificate**
- 115 Vac version transmitter
- Connection tube
- Connection fittings
- Through-connections
- Straight connections
- Spherical coupling nut

www.kimo.fr

Distributed by :



EXPORT DEPARTMENT

Tel : + 33. 1. 60. 06. 69. 25 - Fax : + 33. 1. 60. 06. 69. 29

e-mail : export@kimo.fr