

TP32MTT.03...

AIR AND SOIL TEMPERATURE PROBES



The temperature probes of the series TP32MTT.03... measure the air and/or soil temperature by means of a 4-wire Pt100 sensor.

They are provided with a protective screen which allows to detect the temperature without that the measurement is influenced by solar radiation. The position of the sensor inside the screen is such as to prevent it from being invested by radiation. The screen is made of Luran S777K thermoplastic material, UV-resistant, with low thermal conductivity and high reflection.

There are single probes available, for the measurement of only air or soil temperature, and a double probe for simultaneous measurement of the air and soil temperature.

- **TP32MTT.03.A:** single probe for the measurement of the soil temperature at a depth of 5 cm;
- **TP32MTT.03.B:** double probe for the measurement of air and soil temperature at ± 5 cm from soil;
- **TP32MTT.03.C:** single probe for the measurement of the air temperature;

The probes **TP32MTT.03.A** and **TP 32MTT.03.B** are fixed by means of a metal spike to be driven into the ground. The probe **TP32MTT.03.C** is attached to a bracket made of Anticorodal aluminium, powder coated, white.

Length of the cable 2, 5 or 10 m. The cable is terminated with open wires.

SPECIFICATIONS

Sensor	4-wire Pt100
Class	1/3 DIN
Technology	Wire-wound
Working temperature	-40...+85 °C
Temperature drift	0,003 %/°C @ 20 °C
Connection	2, 5 or 10 m cable (to be determined when placing the order) terminating with open wires. The cable has 8 poles for TP32MTT.03.B, and 4 poles for TP32MTT.03.A and TP32MTT.03.C.

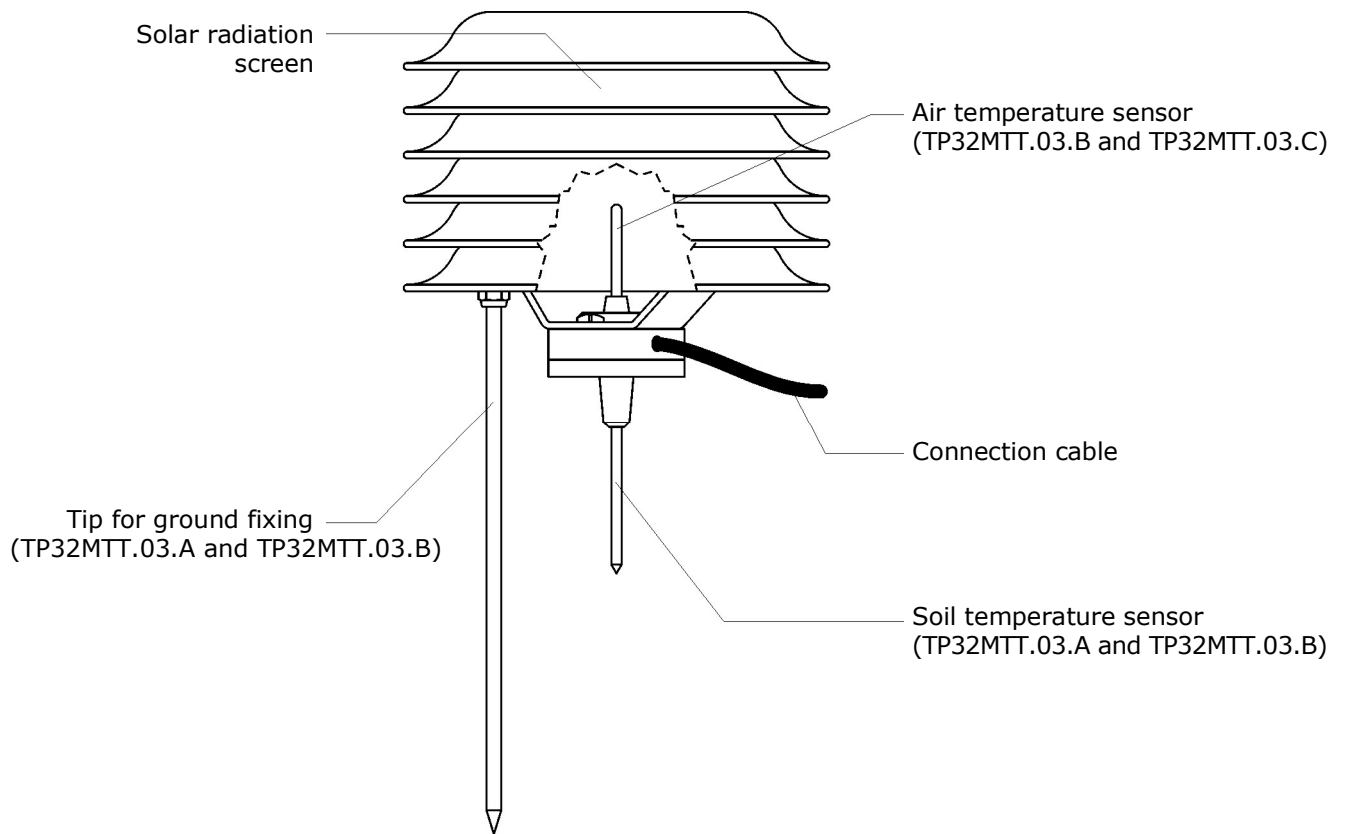


Fig. 1: Description

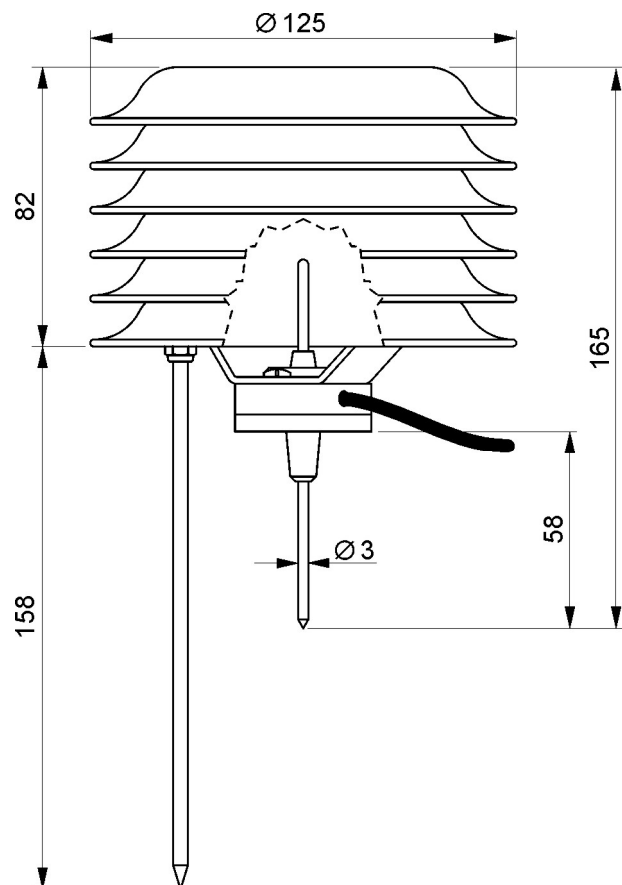


Fig. 2: Dimensions (mm)

INSTALLATION

The probe TP32MTT.03.C for the measurement of only air temperature can be fixed on a flat support by means of the bracket **HD9007T29.1**, or on a mast having diameter from 25 to 44 mm by means of mounting kit **HD9007T29K**.

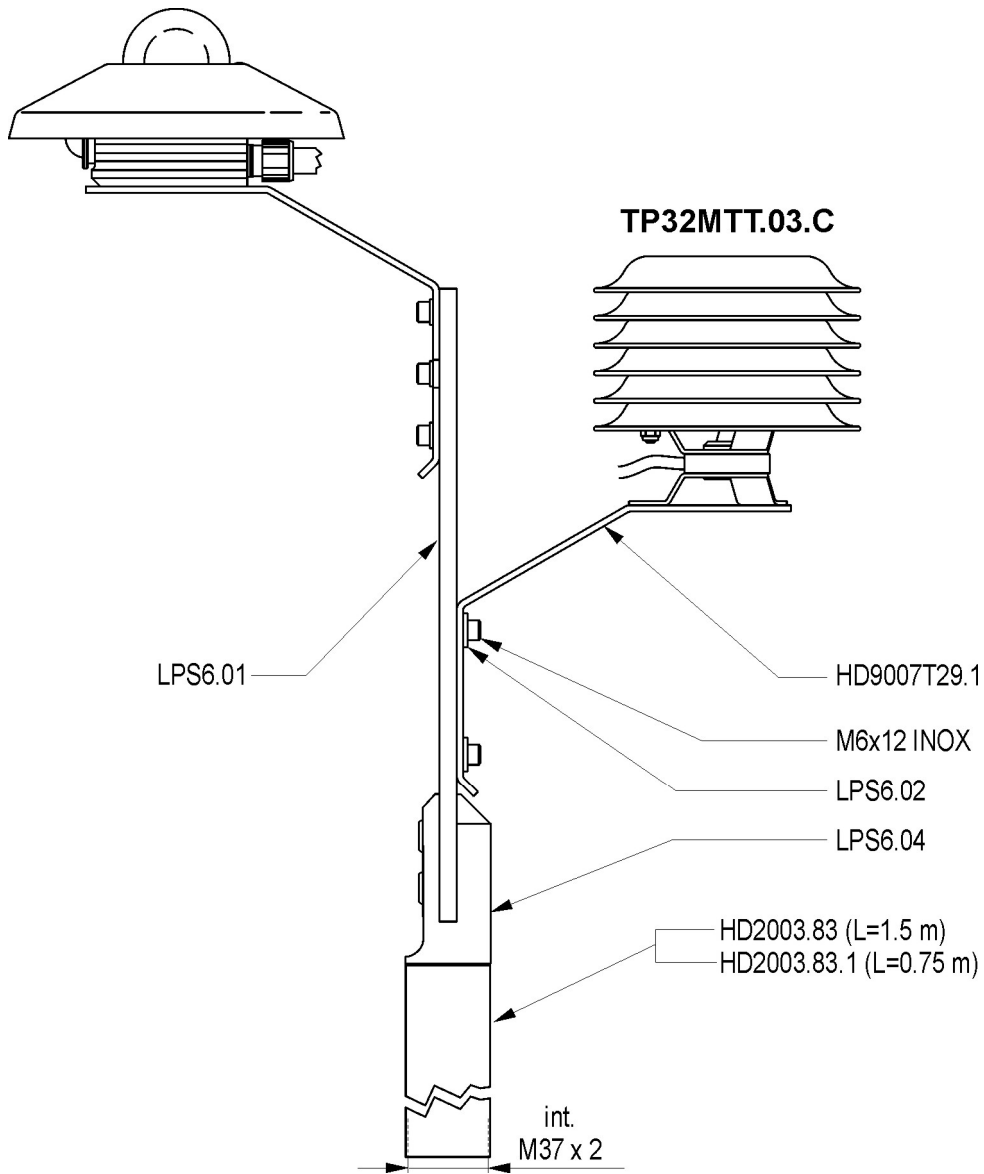


Fig. 3: Installation of TP32MTT.03.C on a flat support

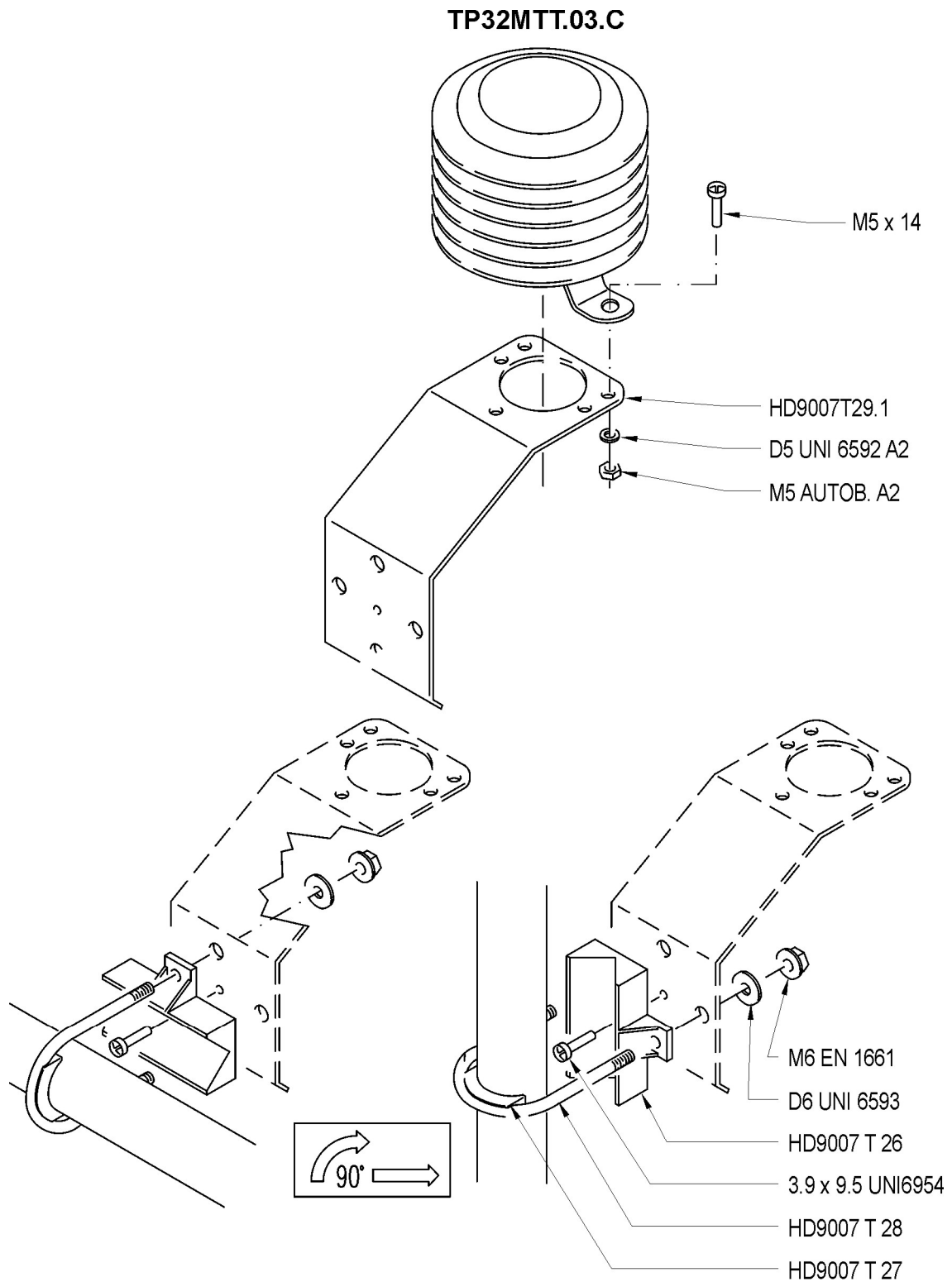


Fig. 4: Installation of TP32MTT.03.C on mast with Ø 25...44 mm

The probes with soil temperature sensor TP32MTT.03.A and TP32MTT.03.B are fixed by inserting their metal tip into the ground. The connection cable must remain above the soil level.

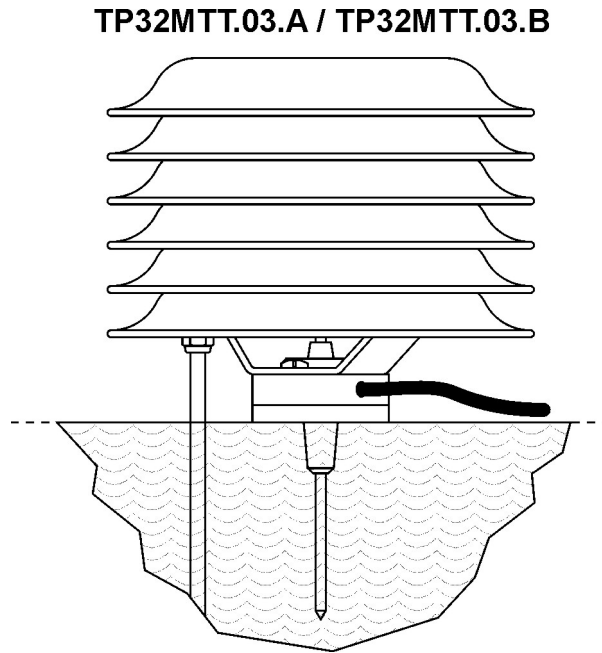


Fig. 5: Installation of TP32MTT.03.A and TP32MTT.03.B on the ground

CONNECTION



Fig. 6: Connection of probes TP32MTT.03.A and TP32MTT.03.C

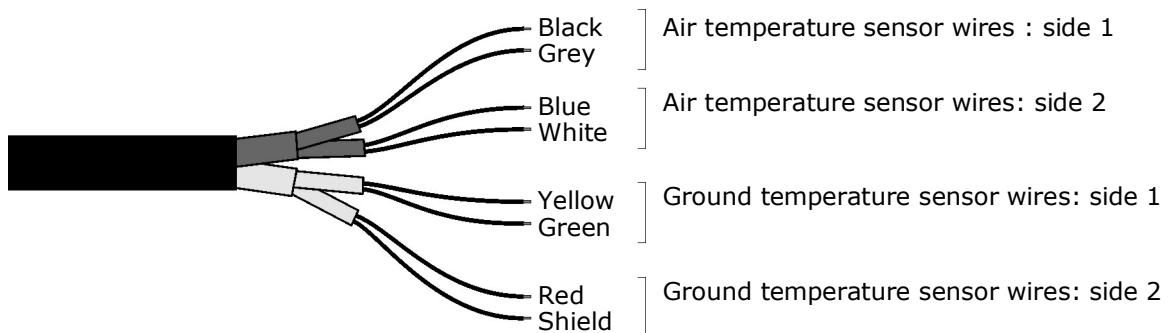
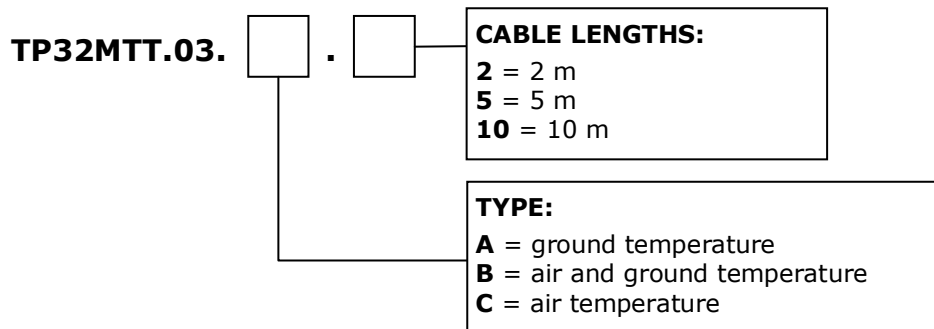


Fig. 7: Connection of probe TP32MTT.03.B

ORDERING CODES



- TP32MTT.03.A** Probe with 4-wire Pt100 sensor for the measurement of the soil temperature. With solar radiation screen. 4-pole cable terminated with open wires. Length of the cable 2, 5 or 10 m.
- TP32MTT.03.B** Probe with two 4-wire Pt100 sensors for the measurement of air and soil temperature. With solar radiation screen. 8-pole cable terminated with open wires. Length of the cable 2, 5 or 10 m.
- TP32MTT.03.C** Probe with 4-wire Pt100 sensor for the measurement of the air temperature. With solar radiation screen. 4-pole cable terminated with open wires. Length of the cable 2, 5 or 10 m.
- HD9007T29.1** Support bracket made of Anticorodal aluminium, powder coated, white. Includes screws for fixing on a flat support. For air temperature probe TP32MTT.03.C.
- HD9007T29K** Support bracket made of Anticorodal aluminium, powder coated, white. Complete with accessories for fixing on mast Ø 25...44 mm. For air temperature probe TP32MTT.03.C.

20/03/2014